

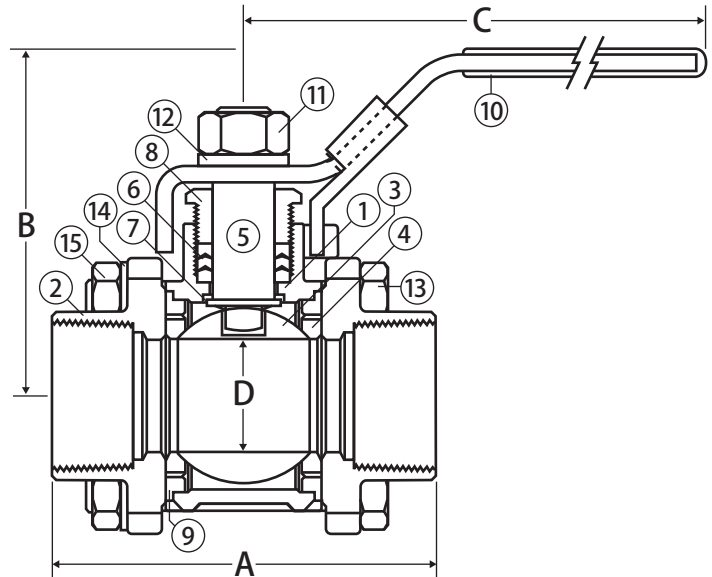
# Carbon Steel Ball Valve



**3 Piece 4 Bolt • Swing Out Body • Full Port • Threaded Connection • Stainless Steel Trim • 1000 WOG**



**T-CS-1000N-SS-4B**



## Features

- Latch Lock Handle May be Locked in Open or Closed Position
- 100% Leak Tested
- 29 in-Hg Vacuum Rating
- Wetted Surfaces Contain Less than .25% Lead Content
- Repair Kits Available

## Approvals

- UL Listed
  - MHKZ - Manual Valves
  - YQNZ - Compressed Gas Shut-Off Valves
  - YRBX - Flammable Liquid Shut-Off Valves
  - YRPV - Gas Shut-Off Valves
  - YSDT - LP Gas Shut-Off Valves
  - YQAR - Anhydrous Ammonia Shut-Off Valves
- NACE Certified
- MSS SP-110
- ANSI B1.20.1
- ANSI B16.11
- Conforms to API 598
- Buy American Act Compliant

## Material Specifications

No.	Part	Materials
1	Body	WCB Carbon Steel
2	End Cap (2)	WCB Carbon Steel
3	Ball	CF8M Stainless Steel
4	Seat (2)*	Hostaflon® TFM 1600
5	Stem	316 Stainless Steel
6	Packing (2)*	RPTFE
7	Stem Seal*	Hostaflon® TFM 1600
8	Packing Gland	1045 Carbon Steel
9	Body Seal (2)*	Hostaflon® TFM 1600
10	Handle	A283 Carbon Steel
11	Handle Nut	A283 Carbon Steel
12	Lock Washer	A283 Carbon Steel
13	Body Bolt (4)	A283 Carbon Steel
14	Body Lock Washer (4)	A283 Carbon Steel
15	Body Nut (4)	A283 Carbon Steel

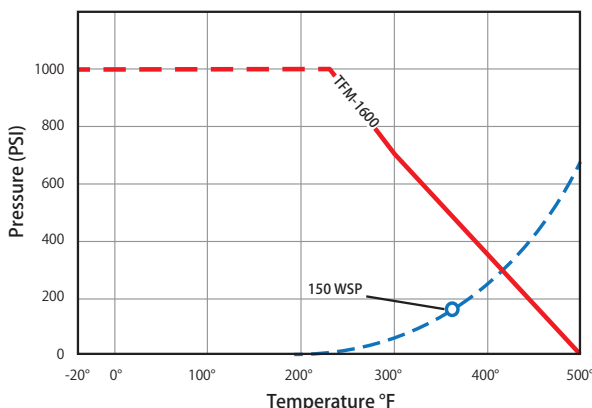
\*Included in repair kit

## Dimensions

Part No.	Size	A	B	C	D	Torque
500-403	1/2"	2.76	2.38	4.30	0.56	80
500-404	3/4"	3.03	2.87	5.81	0.81	150
500-405	1"	3.63	2.95	5.81	1.00	250
500-406	1-1/4"	4.14	3.66	7.44	1.25	320
500-407	1-1/2"	4.73	3.94	7.44	1.50	400
500-408	2"	5.43	4.25	7.81	1.97	480

## Valve Seat Rating

1000 WOG - 150 WSP



**WARNING:** This product can expose you to chemicals including diisononyl phthalate (DINP), which is known to the State of California to cause cancer, and diisononyl phthalate (DINP), which is known to the State of California to cause birth defects or other reproductive harm. For more information go to [www.P65Warnings.ca.gov](http://www.P65Warnings.ca.gov).