

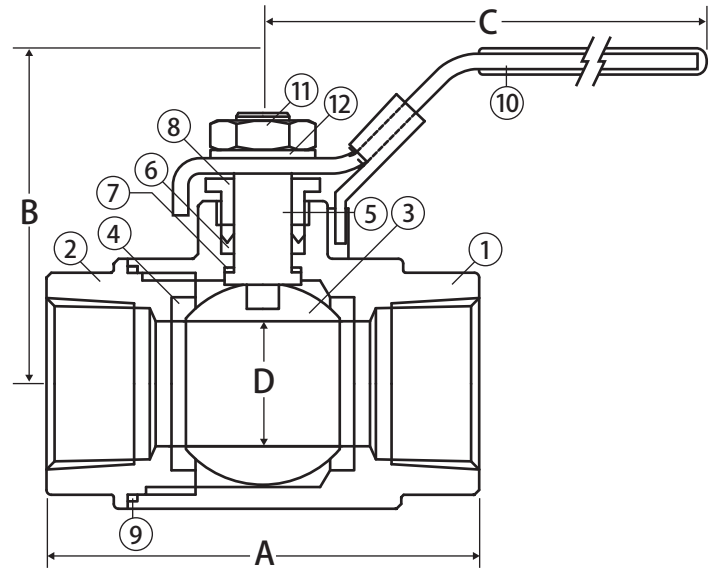
Stainless Steel Ball Valve



2 Piece • Full Port • Threaded Connection • 1000 WOG



T-SS-1001N



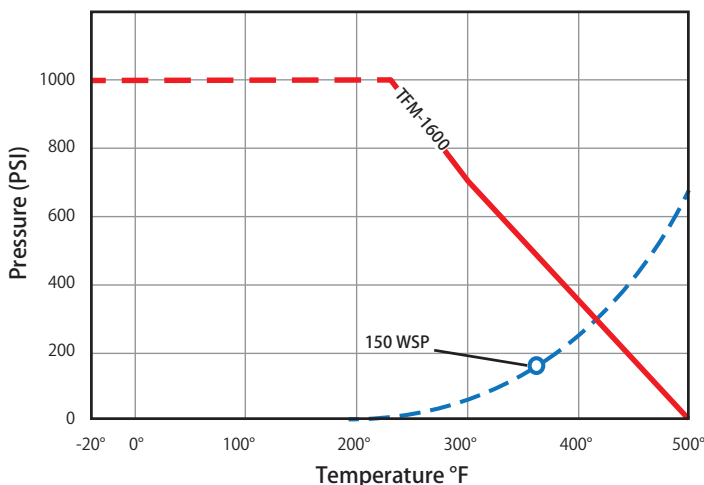
Features

- Solid Ball Construction
- Latch Lock Handle May be Locked in Open or Closed Position
- 100% Leak Tested
- 29 in-Hg Vacuum Rating
- Wetted Surfaces Contain Less than .25% Lead Content

Approvals

- UL Listed
 - MHKZ - Manual Valves
 - YQNZ - Compressed Gas Shut-Off Valves
 - YRBX - Flammable Liquid Shut-Off Valves
 - YRPV - Gas Shut-Off Valves
 - YSDT - LP Gas Shut-Off Valves
 - YQAR - Anhydrous Ammonia Shut-Off Valves
- Conforms to API 598
- MSS SP-110, SP-61, SP-82
- NACE Certified
- ANSI B1.20.1
- Buy American Act Compliant

Valve Seat Rating 1000 WOG - 150 WSP



Material Specifications

No.	Part	Materials
1	Body	CF8M Stainless Steel
2	End Connection	CF8M Stainless Steel
3	Ball	CF8M Stainless Steel
4	Seat (2)	Hostafion® TFM 1600
5	Stem	316 Stainless Steel
6	Packing (2)	RPTFE
7	Stem Seal	Hostafion® TFM 1600
8	Packing Gland	316 Stainless Steel
9	Body Seal	Hostafion® TFM 1600
10	Handle	304 Stainless Steel
11	Handle Nut	304 Stainless Steel
12	Lock Washer	304 Stainless Steel

Dimensions

Part No.	Size	A	B	C	D	Torque	Cv
100-961	1/4"	2.20	2.20	4.21	0.43	40	20
100-962	3/8"	2.20	2.20	4.21	0.43	40	20
100-963	1/2"	2.60	2.30	4.21	0.56	40	33
100-964	3/4"	2.99	2.79	5.73	0.81	60	72
100-965	1"	3.54	2.96	5.73	1.00	70	115
100-966	1-1/4"	3.94	3.56	7.45	1.25	110	183
100-967	1-1/2"	4.41	3.84	7.45	1.50	170	269
100-968	2"	5.00	4.24	8.08	1.97	250	487

WARNING: This product can expose you to chemicals including diisononyl phthalate (DINP), which is known to the State of California to cause cancer, and diisononyl phthalate (DINP), which is known to the State of California to cause birth defects or other reproductive harm. For more information go to www.P65Warnings.ca.gov.