

Stainless Steel Ball Valve



**2 Piece • Reduced Port • 3 Way Dispenser • Threaded Connection
• 1000 WOG**



T-SS-1050N-3L

Features

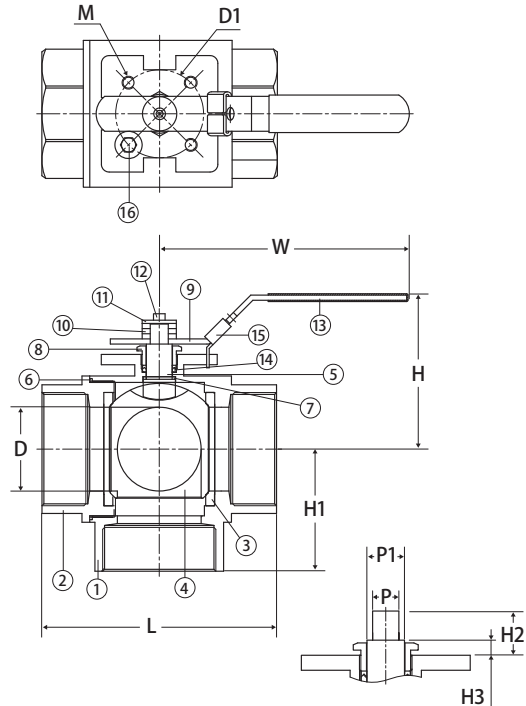
- Locking Handle
- Blow-Out Proof Stem
- Antistatic Device
- 180° Handle Prevents Cross-Contamination
- ISO 5211 Mounting Pad

Approvals

- ANSI B1.20.1
- Buy American Act Compliant

Pressure/Temperature Rating

- 1000 WOG
- -4°F to 392°F



Material Specifications

No.	Part	Materials
1	Body	CF8M Stainless Steel
2	End Cap	CF8M Stainless Steel
3	Seat	PTFE
4	Ball	CF8M Stainless Steel
5	Stem	316 Stainless Steel
6	End Seal	PTFE
7	Thurst Washer	PTFE
8	Gland	304 Stainless Steel
9	Handle	304 Stainless Steel
10	Handle Washer	304 Stainless Steel
11	Washer	304 Stainless Steel
12	Handle Nut	304 Stainless Steel
13	Handle Sleeve	Vinyl Grip
14	Stem Packing	PTFE
15	Locking Plate	304 Stainless Steel
16	Stop Pin	304 Stainless Steel

Dimensions

Part No.	Size	D	L	H	H1	H2	H3	W	P	P1	D1	M	Torque (in-lb)
500-203	1/2"	.049	2.6	2.36	1.36	0.35	0.15	5.25	0.35	0.47	1.42	M5*0.8	62.1
500-204	3/4*	0.63	3.03	2.61	1.56	0.41	0.22	5.25	0.35	0.47	1.42	M5*0.8	82.8
500-205	1"	0.79	3.48	2.75	1.81	0.41	0.22	5.25	0.35	0.47	1.65	M5*0.8	138.1



WARNING: This product can expose you to chemicals including diisononyl phthalate (DINP), which is known to the State of California to cause cancer, birth defects or other reproductive harm. For more information go to www.P65Warnings.ca.gov.

Port

Type	1	2	3	4
L2				