

## Stainless Steel Ball Valve

3 Piece 4 Bolt, Swing Out Body, Full Port, Threaded Connection, Stainless Steel Trim, 1000 WOG

**T-SS-1050N-4B**

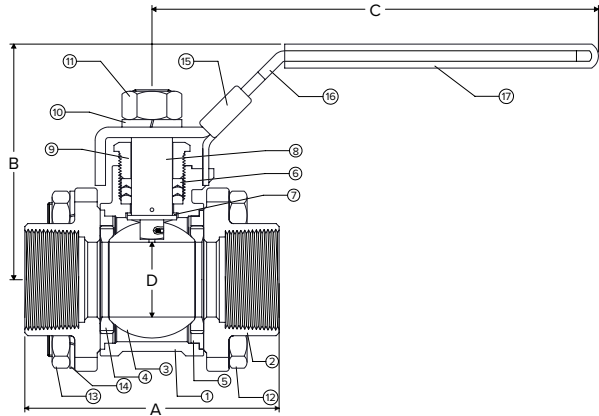
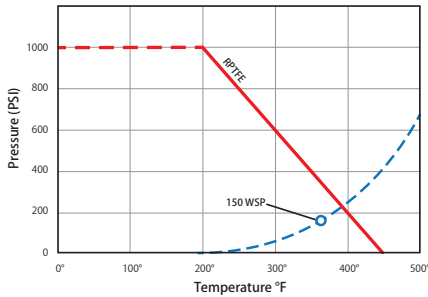


### FEATURES

- Solid Ball Construction
- Antistatic Device
- Locking Device Comes Standard

### VALVE SEAT RATING

1000 WOG - 150 WSP



### MATERIALS

No.	Part	Material
1	Body	CF8M Stainless Steel
2	Cap	CF8M Stainless Steel
3	Ball	CF8M Stainless Steel
4	Seat	RPTFE
5	Seal	PTFE
6	Packing	PTFE
7	Thrust Washer	PTFE
8	Stem	316 Stainless Steel
9	Gland	304 Stainless Steel
10	Spring Washer	304 Stainless Steel
11	Handle Nut	304 Stainless Steel
12	Bolt	304 Stainless Steel
13	Nut	304 Stainless Steel
14	Spring Washer	304 Stainless Steel
15	Locking Device	Stainless Steel
16	Handle	Stainless Steel
17	Handle Sleeve	PVC

### DIMENSIONS

Part No	Size	A	B	C	D	Cv
550-303	1/2"	2.56	2.25	3.96	0.59	37.00
550-304	3/4"	2.95	2.54	4.76	0.79	68.00
550-305	1"	3.35	3.15	5.77	0.98	109.00
550-306	1-1/4"	3.98	3.35	5.77	1.26	185.00
550-307	1-1/2"	4.41	4.07	7.37	1.50	268.00
550-308	2"	5.12	4.36	7.37	1.97	486.00