

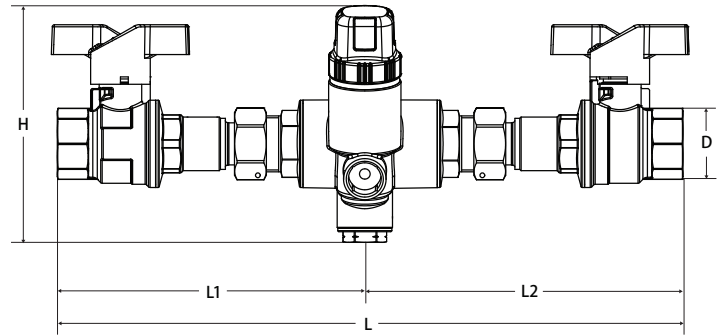
Balancing Valve | RecircSetter™



Thermostatic Balancing • Variable Set Point • with Dual Isolation
• 150 CWP

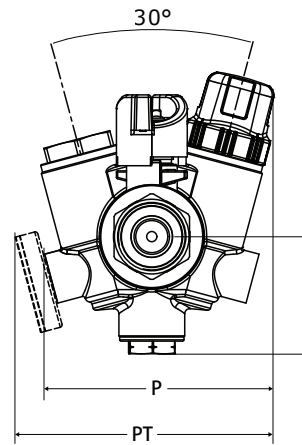


TB-120MG



Features

- Variable temperature set point with protective cap
- Modulates flow to maintain constant temperature in the recirculation loop
- No balancing equipment required
- Heat treated DZR alloy
- 100% Made in Italy
- Drywell with temperature gauge comes standard
- 1/2" NPT temperature port (factory plugged)
- Equipped with dual isolation ball valves
- Union connections on the ball valves
- Integrated check valve in downstream isolation valve



Approvals

- NSF 61
- NSF 372
- Conforms to ANSI B1.20.1

Dimensions

TB-120MG	Part No.	D	L	L1	L2	H	I	P	PT
FxF	180-103MG-B-I	1/2"	11.5	5.75	5.75	4.41	1.81	3.58	4.02
FxF	180-104MG-B-I	3/4"	11.5	5.75	5.75	4.41	1.81	3.58	4.02

Temperature and Pressure

- Max Working Pressure: 232 psi
- Max Differential Pressure: 14.5 psi
- Max Working Temperature: 194°F
- Temperature Setting Range: 95°F - 140°F
- C_{vmin} : 0.26
- C_{vmax} : 2.06
- $C_{vdesign}$: 0.55 - 0.58

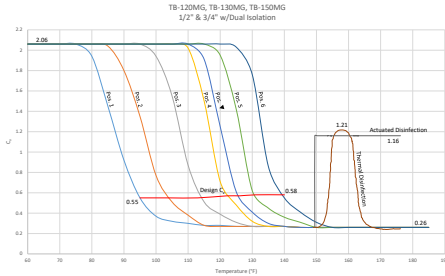


WARNING: This product can expose you to chemicals including lead, which is known to the State of California to cause cancer, birth defects or other reproductive harm. For more information go to www.P65Warnings.ca.gov.

Balancing Valve | RecircSetter™



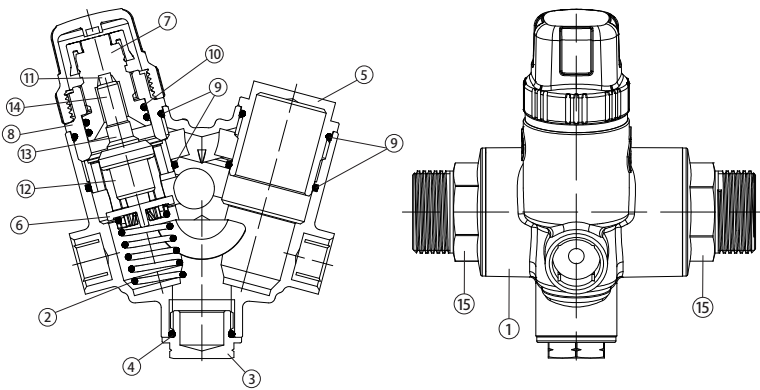
Thermostatic Balancing • Variable Set Point • with Dual Isolation
• 150 CWP



HAND WHEEL SETPOINT TEMPERATURE (°F)									
95°	100°	105°	110°	115°	120°	125°	130°	135°	140°
1	1.6	2.1	2.7	3.2	3.8	▼4.4	4.9	5.5	6

TB-120MG Material Specifications

No.	Part	Material
1	Valve Body	LF DZR Brass C27453
2	Spring	Stainless Steel AISI 302
3	1/2" Plug	LF DZR Brass C27453
4	O-Ring	EPDM
5	Auxiliary Cap	LF DZR Brass C27453
6	Piston	PSU
7	Stem	LF DZR Brass C27453
8	Stem Adapter	LF DZR Brass C27453
9	O-Ring	EPDM
10	O-Ring	EPDM
11	Cartridge Piston	Steel
12	Cartridge Cup	Brass C22000
13	Cartridge Guide	Brass C69300
14	Cartridge Sleeve	EPDM
15	End connection FNPT	LF DZR Brass C27453



TB-120MG Isolation Valve

No.	Part	Material
1	T-Handle	Aluminum
2	Screw	Steel-Geomet Plated
3	Stem	LF Brass C28500
4	O-Ring (2)	EPDM
5	End Connection	LF DZR Brass C27453
6	Seat (2)	PTFE G300
7	Ball	T.E.A. Coated Brass C28500
8	O-Ring	EPDM
9	Body	LF DZR Brass C27453
10	Packing	PTFE G300
11	Packing Gland	LF Brass C28500
12	Union Gasket	EPDM
13	Union Nut	LF DZR Brass C27453
14	Check O-Ring	EPDM
15	Check Body	GF Noryl
16	Spring	Stainless Steel AISI 301
17	Check Rod Plunger	GF Noryl

