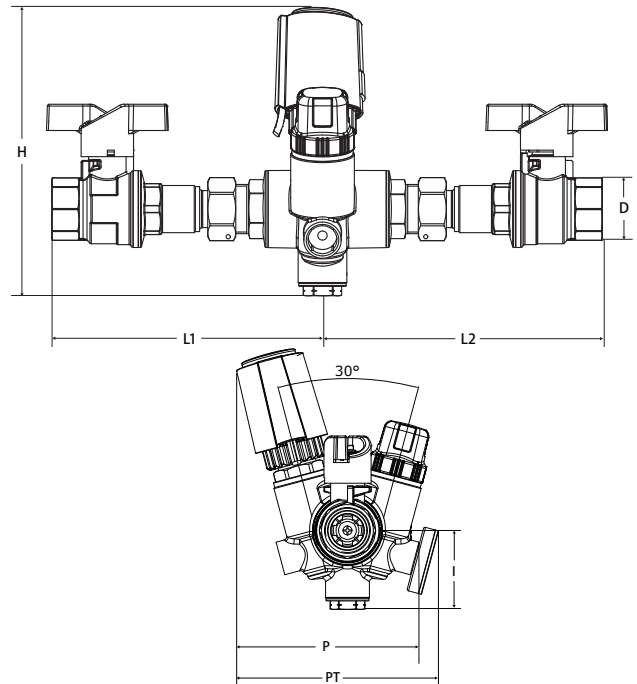


Balancing Valve | RecircSetter™

Thermostatic Balancing, Variable Set Point, Actuated Disinfection with Dual Isolation and Integrated Filter Ball® Strainer, 150 CWP

T-150MFG



FEATURES

- Variable Temperature Set Point with Protective Cap
- Modulates Flow to Maintain Constant Temperature in the Recirculation Loop
- No Balancing Equipment Required
- Heat Treated DZR Alloy
- 100% Made in Italy
- Drywell with Temperature Gauge Comes Standard
- 1/2" NPT Temperature Port (Factory Plugged)
- Actuated Disinfection Axial Valve for Use with BMS
- Equipped with Filter Ball® and Isolation Ball Valves
- Union Connections on the Ball Valves
- Integrated Check Valve in Downstream Isolation Valve

CERTIFICATIONS/APPROVALS

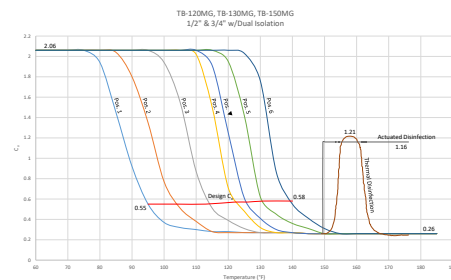
- NSF/ANSI/CAN 61
- NSF/ANSI/CAN 372
- Conforms to ANSI B1.20.1

PRESSURE/TEMPERATURE RATING

- Max Working Pressure: 232 psi
- Max Differential Pressure: 14.5 psi
- Max Working Temperature: 194°F
- Temperature Setting Range: 95°F - 140°F
- C_{vmin} : 0.18
- C_{vmax} : 1.90
- $C_{vdesign}$: 0.51 - 0.56
- $C_{vdisinf}$: 1.16

DIMENSIONS

| Part No | D | L | L1 | L2 | H | I | P | PT |
|----------------|------|-------|------|------|------|------|------|------|
| 180-103MFG-A-I | 1/2" | 10.98 | 5.71 | 5.31 | 6.06 | 1.81 | 4.25 | 4.72 |
| 180-104MFG-A-I | 3/4" | 10.98 | 5.71 | 5.31 | 6.06 | 1.81 | 4.25 | 4.72 |

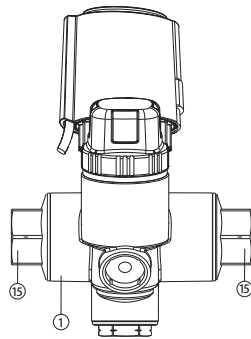
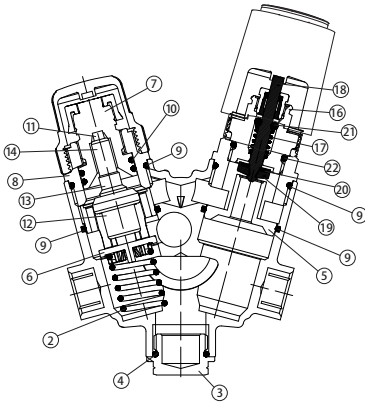


| HAND WHEEL SETPOINT TEMPERATURE (°F) | | | | | | | | | |
|--------------------------------------|------|------|------|------|------|------|------|------|------|
| 95° | 100° | 105° | 110° | 115° | 120° | 125° | 130° | 135° | 140° |
| 1 | 1.6 | 2.1 | 2.7 | 3.2 | 3.8 | ▼4.4 | 4.9 | 5.5 | 6 |

Balancing Valve | RecircSetter™

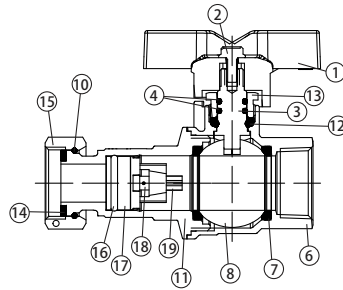
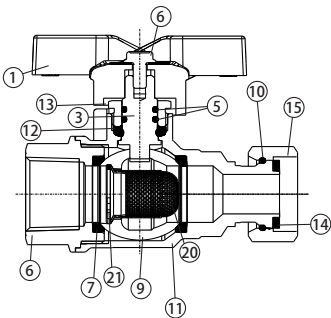
Thermostatic Balancing, Variable Set Point, Actuated Disinfection with Dual Isolation and Integrated Filter Ball® Strainer, 150 CWP

T-150MFG



TB-150MFG MATERIALS

| No. | Part | Material |
|-----|----------------------|--------------------------|
| 1 | Valve Body | LF DZR Brass C27453 |
| 2 | Spring | Stainless Steel AISI 302 |
| 3 | 1/2" Plug | LF DZR Brass C27453 |
| 4 | O-Ring | EPDM |
| 5 | Disinfection Cap | LF DZR Brass C27453 |
| 6 | Piston | PSU |
| 7 | Stem | LF DZR Brass C27453 |
| 8 | Stem Adapter | LF DZR Brass C27453 |
| 9 | O-Ring | EPDM |
| 10 | O-Ring | EPDM |
| 11 | Cartridge Piston | Steel |
| 12 | Cartridge Cup | Brass C22000 |
| 13 | Cartridge Guide | Brass C69300 |
| 14 | Cartridge Sleeve | EPDM |
| 15 | End Connection FNPT | LF DZR Brass C27453 |
| 16 | Axial Valve Body | LF DZR Brass C27453 |
| 17 | Shut-Off Spring | Stainless Steel AISI 302 |
| 18 | Shut-Off Stem | Stainless Steel AISI 304 |
| 19 | Shut-Off Gasket | EPDM |
| 20 | Shut-Off Metal Plate | Brass C38500 |
| 21 | O-Ring | EPDM |
| 22 | O-Ring | EPDM |



TB-150MFG ISOLATION & FILTER BALL® VALVE MATERIALS

| No. | Part | Material |
|-----|-------------------------|----------------------------------|
| 1 | T-Handle | Aluminum |
| 2 | Screw | Steel-Geomet Plated |
| 3 | Stem | Lead Free Brass C28500 |
| 4 | Isolation O-Ring (2) | EPDM |
| 5 | Filter Ball® O-Ring (2) | FKM |
| 6 | End Connection | Lead Free DZR Brass C27453 |
| 7 | Seat (2) | PTFE G300 |
| 8 | Isolation Ball | T.E.A. Coated Brass C28500 |
| 9 | Filter Ball® Ball | White Bronze Plated Brass C27453 |
| 10 | O-Ring | EPDM |
| 11 | Body | Lead Free DZR Brass C27453 |
| 12 | Packing | PTFE G300 |
| 13 | Packing Gland | Lead Free Brass C28500 |
| 14 | Union Gasket | EPDM |
| 15 | Union Nut | Lead Free DZR Brass C27453 |
| 16 | Check O-Ring | EPDM |
| 17 | Check Body | GF Noryl |
| 18 | Sping | Stainless Steel AISI 301 |
| 19 | Check Rod Plunger | GF Noryl |
| 20 | Filter Basket | 304 Stainless Steel |
| 21 | C-Clip Retainer | Phosphorous Bronze (CuSn6) |