

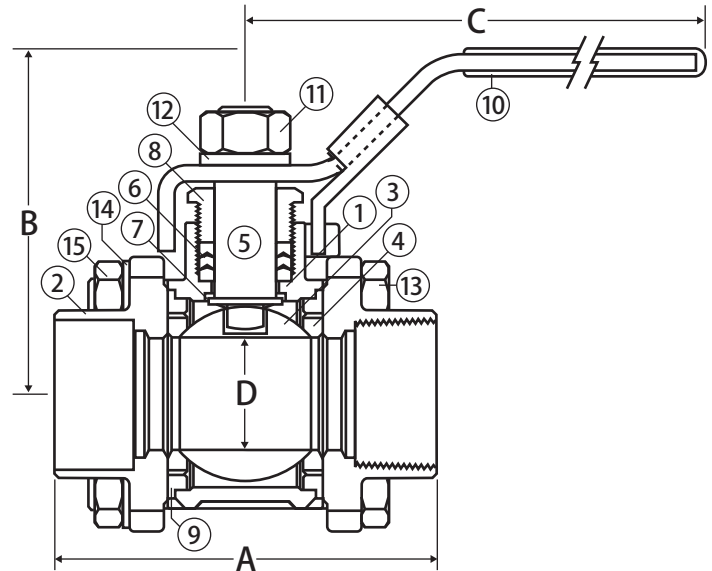
Stainless Steel Ball Valve



3 Piece 4 Bolt • Swing Out Body • Full Port • Threaded x Socket Weld Connection • Stainless Steel Trim • 1000 WOG



TS-SS-1000N-4B



Features

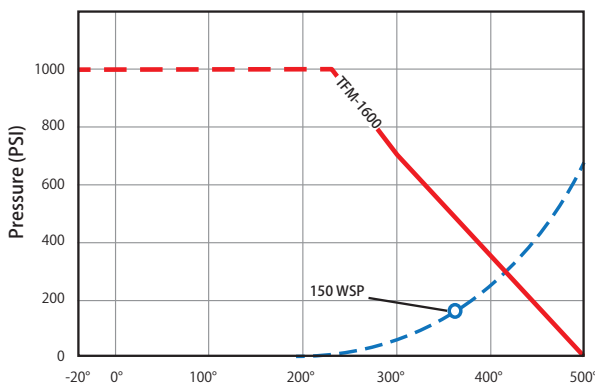
- Latch Lock Handle May be Locked in Open or Closed Position
- 100% Leak Tested
- 29 in-Hg Vacuum Rating
- Wetted Surfaces Contain Less than .25% Lead Content
- Repair Kits Available

Approvals

- UL Listed (1/4" - 2")
 - MHKZ - Manual Valves
 - YQNZ - Compressed Gas Shut-Off Valves
 - YRBX - Flammable Liquid Shut-Off Valves
 - YRPV - Gas Shut-Off Valves
 - YSDT - LP Gas Shut-Off Valves
 - YQAR - Anhydrous Ammonia Shut-Off Valves
- MSS SP-110
- NACE Certified
- ANSI B1.20.1
- ANSI B16.11
- Conforms to API 598
- Buy American Act Approved

Valve Seat Rating

1000 WOG - 150 WSP



Material Specifications

No.	Part	Materials
1	Body	CF8M Stainless Steel
2	End Cap (2)	CF8M Stainless Steel
3	Ball	CF8M Stainless Steel
4	Seat (2)*	Hostafion® TFM 1600
5	Stem	316 Stainless Steel
6	Packing (2)*	RPTFE
7	Stem Seal*	Hostafion® TFM 1600
8	Packing Gland	316 Stainless Steel
9	Body Seal (2)*	Hostafion® TFM 1600
10	Handle	304 Stainless Steel
11	Handle Nut	304 Stainless Steel
12	Lock Washer	304 Stainless Steel
13	Body Bolt (4)	304 Stainless Steel
14	Body Lock Washer (4)	304 Stainless Steel
15	Body Nut (4)	304 Stainless Steel

*Included in repair kit

Dimensions

Part No.	Size	A	B	C	D	Torque
500-376	1-1/4"	4.14	3.66	7.44	1.25	320
500-378	2"	5.43	4.25	7.81	1.97	480



WARNING: This product can expose you to chemicals diisononyl phthalate (DINP), which is known to the State of California to cause cancer, birth defects or other reproductive harm. For more information go to www.P65Warnings.ca.gov.