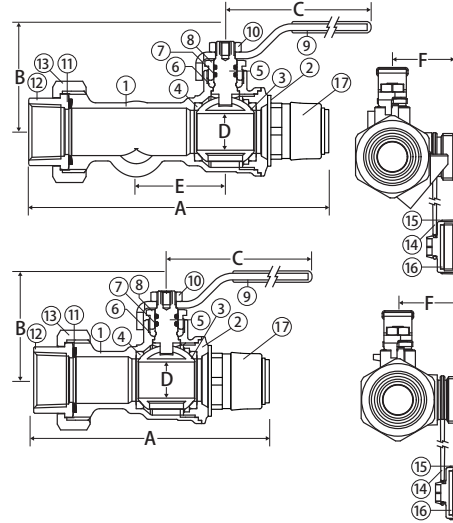


Tankless Hot Water Heater Valve Kit

3-Way Ball Valve, SharkBite™ Connection, 600 WOG



TWV-3W-KIT-G SHARKBITE™



FEATURES

- Unique, T.E.A. Ternary Eco Alloy® Coated 3-Way Style Ball
- 2 FKM O-Rings with PTFE Packing and Packing Nut Guarantees No Stem Leaks
- US Patent No. 7,762,280 B2
- 3/4" 200,000 BTU/hr Pressure Relief Valve Included
- 100% Leak Tested
- 100% Made in Italy
- Leakproof Stem - Lifetime Warranty
- Wetted Surfaces Contain Less Than .25% Lead Content

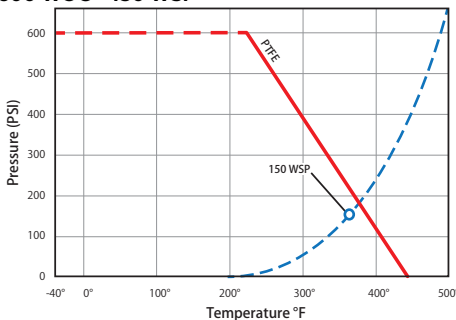
CERTIFICATIONS/APPROVALS

- NSF
 - NSF 372
 - NSF 61-8
 - NSF 61 - Annex G
 - ANSI B1.20.1
 - ASSE 1061

Buy American Act Compliant

VALVE SEAT RATING

600 WOG - 150 WSP



MATERIALS

| No. | Part | Material |
|-----|-----------------------|------------------------------|
| 1 | Body | Lead Free Brass - C28500 |
| 2 | End Connection | Lead Free Brass - C28500 |
| 3 | Ball | T.E.A. Coated Brass - C28500 |
| 4 | Seat (2) | PTFE G300 |
| 5 | Stem | Lead Free Brass - C28500 |
| 6 | Packing | PTFE |
| 7 | Stem O-Ring (2) | FKM |
| 8 | Packing Gland | Brass - C28500 |
| 9 | Handle | Steel - Geomet® Plated |
| 10 | Handle Nut | Steel - Geomet® Plated |
| 11 | Union Washer | EPDM |
| 12 | Tail Piece | Lead Free Brass - C28500 |
| 13 | Union Nut | Brass - C37700 |
| 14 | Tether | PVC |
| 15 | Cap | Lead Free Brass - C28500 |
| 16 | Flat Washer | Buna-N |
| 17 | Sharkbite™ Connection | Proprietary |

DIMENSIONS

| Part No | Size | A | B | C | D | E | F |
|----------|-----------|------|------|------|------|------|------|
| 810-594G | 3/4" Hot | 6.24 | 2.00 | 3.74 | 0.66 | 1.65 | 1.41 |
| | 3/4" Cold | 4.79 | 2.00 | 3.74 | 0.66 | - | 1.41 |