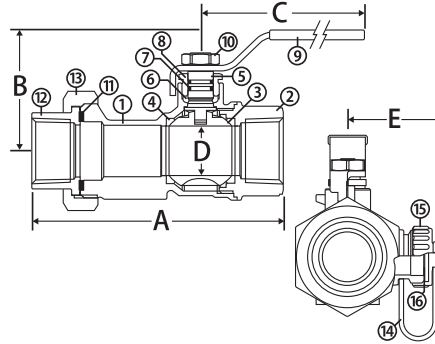


# Lead Free Brass Ball Valve

Tankless Water Heater Valve Kit, 3-Way Ball, Threaded or Solder Connection, Without Relief Valve Port, 600 WOG

## TWV-3W-KIT-G W/O RV PORT



### FEATURES

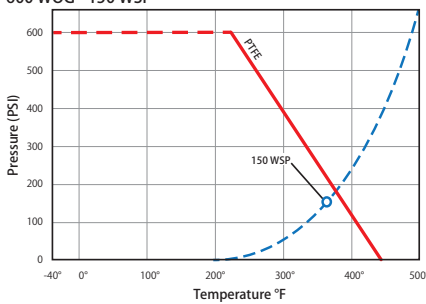
- Dezincification Resistant Brass Alloy
- Triple Sealing Stem with 2 FKM O-Rings and Teflon® Seal
- T.E.A. Coated 3-Way Ball
- Blow-Out Proof Stem
- US Patent No. 7,762,280 B2
- 100% Leak Tested
- 100% Made in Italy
- NSF 61 & NSF 372 Certified
- Leakproof Stem - Lifetime Warranty
- 29 in-Hg Vacuum Rating
- Wetted Surfaces Contain Less than .25% Content

### CERTIFICATIONS/APPROVALS

- NSF 372
- NSF 61-8
- NSF 61 - Annex G
- ANSI B1.20.7
- ANSI B16.18
- ANSI B1.20.1

### VALVE SEAT RATING

600 WOG - 150 WSP



### MATERIALS

No.	Part	Material
1	Body	Lead Free Brass - C27453
2	End Connection	Lead Free Brass - C27453
3	Ball	T.E.A. Coated Brass - C28500
4	Seat (2)	PTFE
5	Stem	Lead Free Brass - C28500
6	Packing	PTFE
7	Stem O-ring (2)	FKM
8	Packing Gland	Brass - C38500
9	Handle	Steel - Geomet® Plated
10	Handle Nut	Steel - Geomet® Plated
11	Union Washer	EPDM
12	Tail Piece	Lead Free Brass - C28500
13	Union Nut	Brass - C37700
14	Tether	PVC
15	Cap	Lead Free Brass - C28500
16	Flat Washer	Buna-N

### DIMENSIONS

Part No	Valve	A	B	C	D	E
810-604G	Threaded	3.93	2	3.74	0.66	1.41
810-614G	Sweat	4.17	2	3.74	0.66	1.41