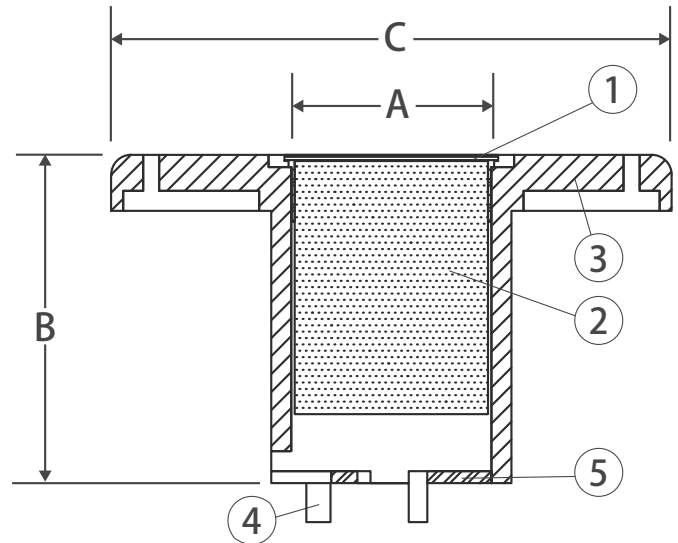


Thermal Insulated Handle with Memory Stop



Thermal-Block™ Handle

Features

- Insulated cavity plug
- Extension height
 - Small Handle: 2 1/2" above stem shoulder
 - Large Handle: 3 1/4" above stem shoulder
- Adjustable Memory Stop
- Sleeved handle
- (2) tagging holes

Approvals

- UL 2043 – Fire Test for Heat and Visible Smoke Release for Discrete Products and Their Accessories Installed in Air-Handling Spaces

Compatibility

- T/S-200CSSG
- T/S-200CSS

Material Specifications

No.	Part	Material
1	Cap	LDPE
2	Foam Insert	Polystyrene
3	Handle	Nylon
4	Slide	Chrome Plated Steel
5	Base Plate	Chrome Plated Steel
6*	Sleeve	CAB Tubing

* Not pictured

Dimensions

Part No.	Size	A	B	C
220-423	1/2"	1.77	2.52	4.25
220-424	3/4"	1.77	2.52	4.25
220-426	1"	1.77	2.52	4.25
	1-1/4"			
220-428	1-1/2"	2.36	3.23	5.51
	2"			



WARNING: This product can expose you to chemicals including lead, which is known to the State of California to cause cancer, and lead which is known to the State of California to cause birth defects or other reproductive harm. For more information go to www.P65Warnings.ca.gov.